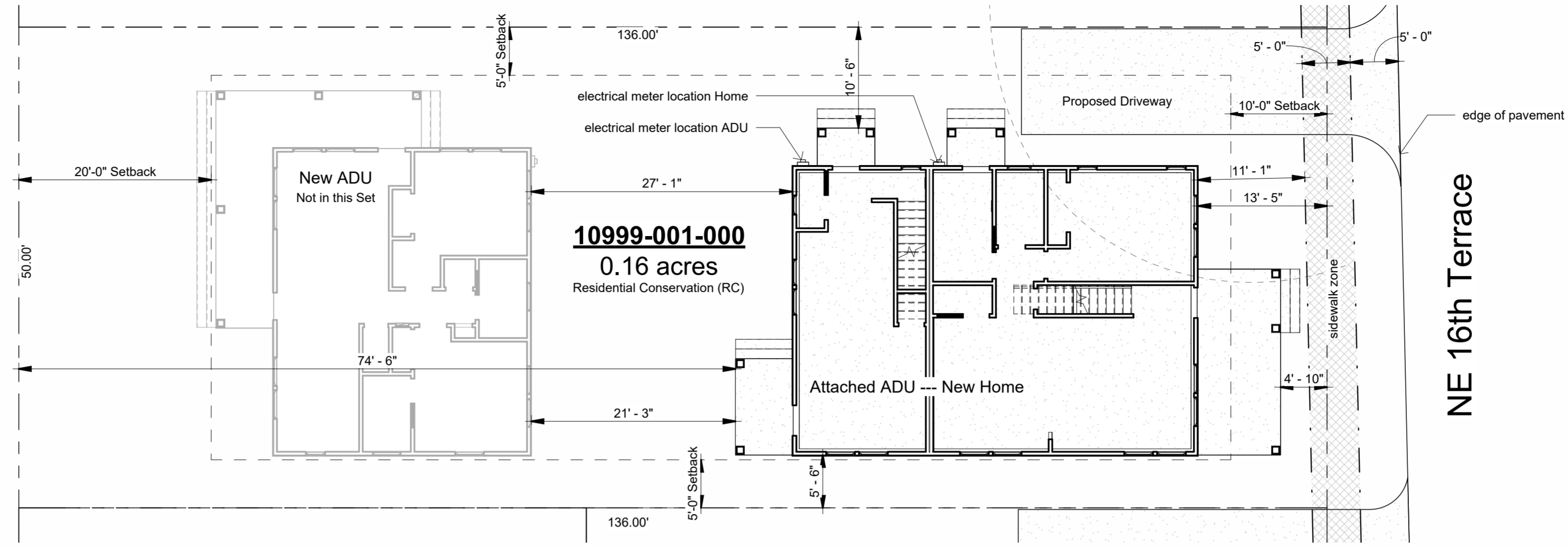


General Notes:

- ALL WORK SHALL CONFORM TO THE LATEST FLORIDA BUILDING CODE, THE NFPA LIFE SAFETY CODE, AND ALL OTHER APPLICABLE CODES AND ORDINANCES. OBTAIN ALL REQUIRED PERMITS FOR THE PROPER LEGAL EXECUTION OF THE WORK DESCRIBED IN THESE DRAWINGS AND SPECIFICATIONS.
- PROVIDE A CONTINUOUS LOAD PATH FROM TRUSSES OR RAFTERS TO FOUNDATION FOR ALL NEW CONSTRUCTION. IF ANY DISCREPANCIES, CALL DESIGNER FOR CLARIFICATION BEFORE PROCEEDING.
- THE CONTRACTOR SHALL VERIFY ALL EXISTING CONDITIONS PRIOR TO STARTING ANY WORK. HE/SHE SHALL NOTIFY THE DESIGNER OF ANY DISCREPANCIES BETWEEN THE CONTRACT DOCUMENTS AND ACTUAL SITE CONDITIONS FOUND DURING OR PRIOR TO DEMOLITION.
- FOUNDATION DESIGN IS BASED ON 2000 PSF STABLE SOIL CONDITIONS.
- PROVIDE TESTING ON SOIL COMPACTION PRIOR TO LAYING STEEL OR POURING CONCRETE. COMPACTION SHOULD ACHIEVE 95% MODIFIED PROCTOR DENSITY.
- PROVIDE ADEQUATE BLOCKING BEHIND ALL WALL MOUNTED FIXTURES
- PROVIDE ALL ACCESSORIES, HARDWARE AND MISC. ITEMS AS PER DRAWINGS AND SPECIFICATIONS. ALL ITEMS SHALL BE INSTALLED AS PER MANUFACTURERS WRITTEN INSTRUCTIONS AND CUT SHEETS.
- CONTRACTOR MUST VERIFY ALL DIMENSIONS PRIOR TO CONSTRUCTION. DO NOT SCALE DRAWINGS.
- ALL CONCRETE SHALL BE 3000 PSI COMPRESSIVE STRENGTH AT 28 DAYS.
- INSTALL DOORS AND WINDOWS PER MANF. DATA PROVIDED W/ PRODUCT. CENTER UNLESS NOTED
- REFER TO WIND LOAD ANALYSIS FOR NAIL PATTERN AND SCHEDULE AND HOLD DOWN TABLES
- ATTIC OVER CONDITIONED SPACE IS UNVENTED. ATTIC INSULATION FOAM-IN-PLACE SPRAY FOAM INSULATION.
- ATTIC OVER PORCHES IS VENTED. THE TOTAL NET FREE VENTILATING AREA SHALL NOT BE LESS THAN 1/150 OF THE AREA OF THE SPACE VENTILATED. VENTILATION OPENINGS HAVING A LEAST DIMENSION LARGER THAN 1/4 INCH (6.4 MM) SHALL BE PROVIDED WITH CORROSION-RESISTANT WIRE CLOTH SCREENING, HARDWARE CLOTH, OR SIMILAR MATERIAL WITH OPENINGS HAVING A LEAST DIMENSION OF 1/16 INCH (1.6 MM) MINIMUM AND 1/4 INCH (6.4 MM) MAXIMUM.
- ALL FLASHING TO MEET CODES. FOLLOW MANUFACTURER'S DATA SHEET AND SMACNA STANDARDS.
- STRUCTURAL CONNECTORS LISTED ARE FOR EXAMPLE. OTHER PRODUCTS MAY BE SUBSTITUTED FOR ANY CONNECTORS LISTED PROVIDED THEY MEET THE REQUIRED LOAD CAPACITIES. FOLLOW MANUFACTURER'S INSTALLATION DATA. ANY CONNECTORS EXPOSED TO THE WEATHER SHALL BE HOT DIPPED GALVANIZED.
- ANCHOR BOLT MINIMUM EMBEDMENT IS 7" UNLESS OTHERWISE NOTED.
- ELECTRICAL INFORMATION IS DIAGRAMMATIC ONLY.
- ALL FIXTURES AND EQUIPMENT MUST MEET THE OWNER'S APPROVAL PRIOR TO PURCHASE AND INSTALLATION
- ALL WOOD IN CONTACT WITH MASONRY OR CONCRETE SHALL BE PRESSURE TREATED. ALL STRUCTURAL WOOD EXPOSED TO WEATHER SHALL BE PRESSURE TREATED.
- ALL WOOD AND WOOD CONSTRUCTION SHALL COMPLY WITH THE RELEVANT CODES AND SPECIFICATIONS AND THE 'AMERICAN INSTITUTE OF TIMBER CONSTRUCTION' (STANDARD MANUAL)
- APPLICATION OF PAINT OR OTHER COATING SHALL BE IN STRICT ACCORDANCE WITH THE MANUFACTURER'S DIRECTIONS. READY-MIXED PAINT SHALL NOT BE THINNED, EXCEPT AS PERMITTED IN THE APPLICATION INSTRUCTIONS.
- ALL SURFACES TO BE FINISHED SHALL BE CLEAN AND FREE OF FOREIGN MATERIALS, (DIRT, GREASE, ASPHALT, RUST, ETC.)
- APPLICATION SHALL BE IN A WORKMANLIKE MANNER PROVIDING A SMOOTH SURFACE. APPLICATION RATE SHALL BE THAT RECOMMENDED BY THE MANUFACTURER. APPLICATION MAY BE BY BRUSH OR ROLLER, OR MAY BE BY SPRAY IF PAINT IS FORMULATED FOR SAME.
- PROVIDE EXTERIOR AND INTERIOR SURFACE FINISHES AS SCHEDULED, AS APPROPRIATE FOR THEIR LOCATION OR EXPOSURE TO WEATHER, AND AS RECOMMENDED BY THE MANUFACTURER.
- OTHER FINISHES AS PER CONSTRUCTION DOCUMENTS, FINISH SCHEDULE OR OWNER'S SPECIFICATIONS.
- THE DESIGNER SHALL NOT BE RESPONSIBLE FOR AND WILL NOT HAVE CONTROL OR CHARGE OF CONSTRUCTION MEANS, METHODS, TECHNIQUES, SEQUENCES OR PROCEDURES. NOR WILL HE/SHE BE RESPONSIBLE FOR THE SAFETY PRECAUTIONS AND PROGRAMS IN CONNECTION WITH THE WORK, OR THE CONTRACTOR'S FAILURE TO CARRY OUT THE WORK IN ACCORDANCE WITH THE CONTRACT DOCUMENTS. THE DESIGNER SHALL NOT BE RESPONSIBLE FOR OR HAVE CONTROL OR CHARGE OVER THE ACTS OR OMISSIONS OF THE CONTRACTOR, SUB-CONTRACTORS, OR ANY OF THEIR AGENTS OR EMPLOYEES, OR ANY OTHER PERSONS PERFORMING ANY OF THE WORK.



Project Identification
Douglas Residence

Project Location
Unassigned Address 10999-001-000
Gainesville, Florida 32641

Owner
Jonathan Douglas, 832 NW 39th Ave LLC
9200 NW 39th Ave. STE 130-3255
Gainesville, FL 32606

Designer
Bob Harris - dba Bob Harris Design
2351 SW 56th Avenue
Gainesville, Florida 32608

Building Code
All areas of construction shall comply with Florida Building Code 8th Addition 2023

- Project Scope**
- New Home
 - Attached ADU

Sheet List	
Sheet Number	Sheet Name
A0	Cover, Location, Notes
A1	First Floor Plan
A2	Second Floor Plan
A3	Elevations
A4	Electrical Plan

Area Schedule (Gross Building)	
Area	Type

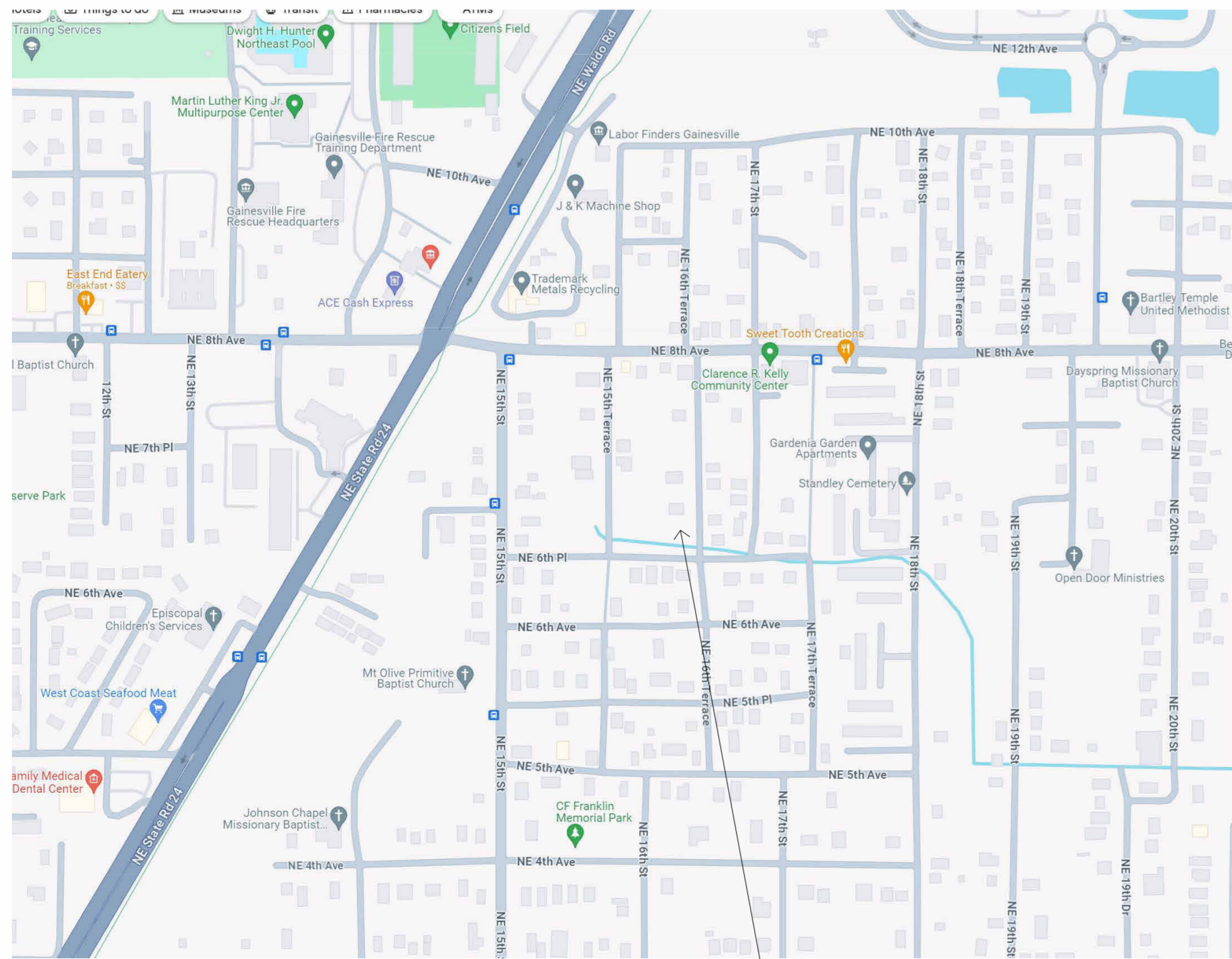
ADU	
850 SF	Conditioned
84 SF	Porches
934 SF	
Home	
1670 SF	Conditioned
192 SF	Porches
1862 SF	
2796 SF	



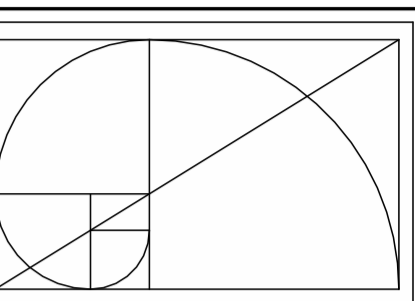
Sketch 1



Sketch 2



Location Map
N.T.S.



BOB HARRIS DESIGN

bobharrisdesign.com
bh@bobharrisdesign.com
352-317-6644
2351 SW 5th Avenue

CLIENT

Jonathan Douglas, 832 NW 39th Ave LLC

Douglas Residence
Lot 22 Home
 Unassigned Address 10999-001-000
 Gainesville, Florida 32641

Revision Date
Number Date

Date: 01/23/2024
 Drawn: Bob Harris
 Description: Cover, Location, Notes

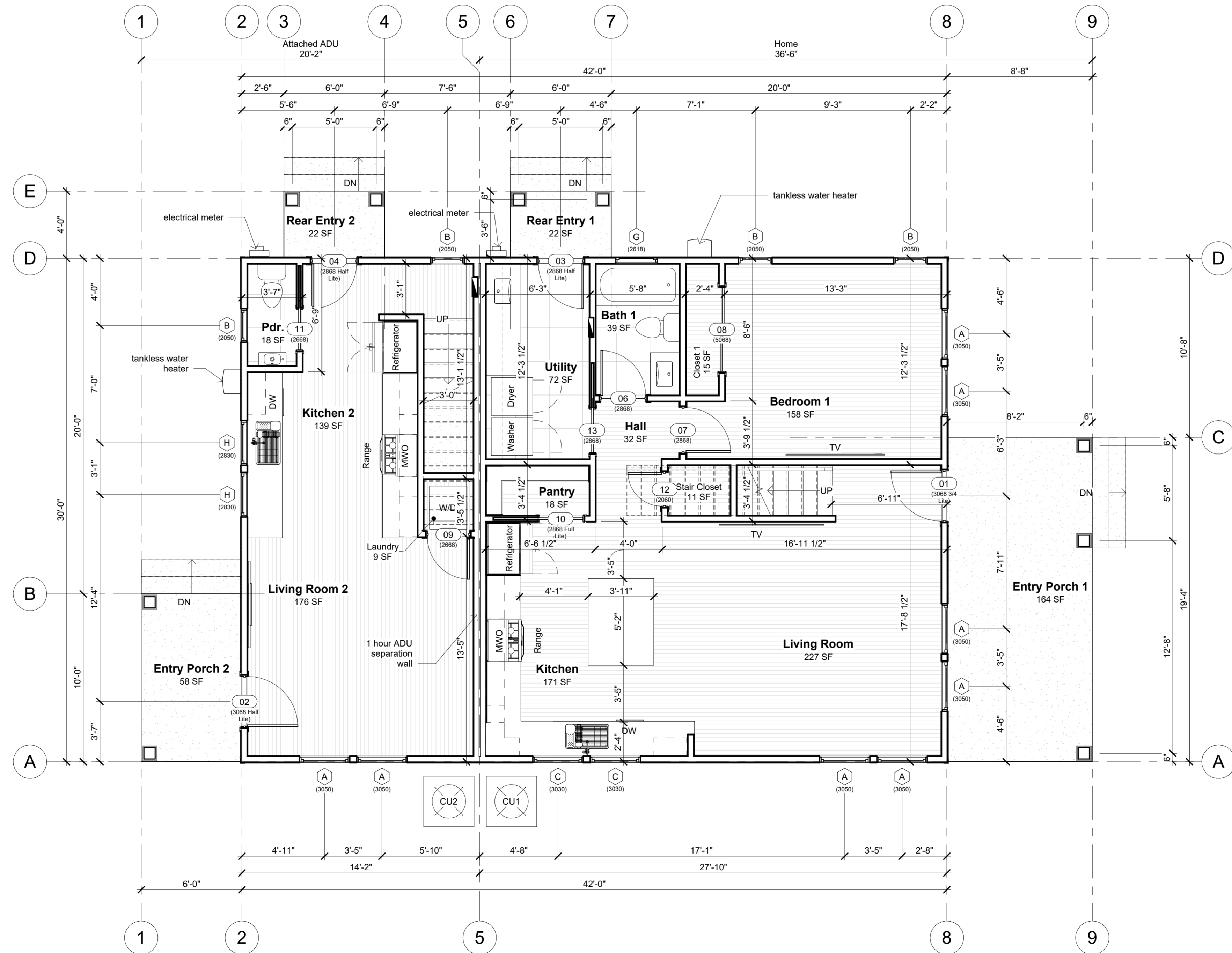
SHEET
A0
 OF
 5

50%

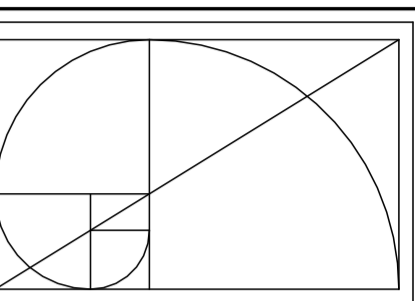
50%

Window Schedule						
Mark	Width	Height	Description	Comments	Head Height	Count
A	3'-0"	5'-0"	Single Hung		6'-8"	18
B	2'-0"	5'-0"	Single Hung		6'-8"	7
C	3'-0"	3'-0"	Single Hung		6'-8"	2
D	4'-0"	1'-8"	Awning		6'-8"	3
E	3'-0"	1'-8"	Casement Left		6'-8"	2
F	3'-0"	1'-8"	Casement Right		6'-8"	2
G	2'-6"	1'-8"	Awning		6'-8"	1
H	2'-8"	3'-0"	Single Hung		6'-8"	2

Door Schedule						
Mark	Width	Height	Function	Location	Description	Comments
First Floor						
01	3'-0"	6'-8"	Exterior	Entry Porch 1	3/4 Lite Patterned Glass	
02	3'-0"	6'-8"	Exterior	Entry Porch 2	1/2 Lite Patterned Glass	
03	2'-8"	6'-8"	Exterior	Rear Entry 1	1/2 Lite Patterned Glass	
04	2'-8"	6'-8"	Exterior	Rear Entry 2	1/2 Lite Patterned Glass	
06	2'-8"	6'-8"	Interior	Bath 1		
07	2'-8"	6'-8"	Interior	Bedroom 1		
08	5'-0"	6'-8"	Interior	Closet 1	Pair Sliding Doors	
09	2'-6"	6'-8"	Interior	Laundry		
10	2'-8"	6'-8"	Interior	Pantry	Pocket Door Full Lite Frosted Glass	
11	2'-6"	6'-8"	Interior	Pdr.	Pocket Door	
12	2'-0"	6'-0"	Interior	Stair Closet	Custom Cut	
13	2'-8"	6'-8"	Interior	Utility	Pocket Door	
Second Floor						
14	2'-0"	6'-8"	Interior			
15	2'-6"	6'-8"	Interior	Bath 1a		
16	2'-6"	6'-8"	Interior	Bath 2		
17	2'-6"	6'-8"	Interior	Bedroom 1a		
18	2'-8"	6'-8"	Interior	Bedroom 2		
19	2'-6"	6'-8"	Interior	Bedroom 2a		
20	2'-8"	6'-8"	Interior	Bedroom 3		
21	5'-0"	6'-8"	Interior	Closet 1a	Pair Sliding Doors	
22	5'-0"	6'-8"	Interior	Closet 2	Pair Sliding Doors	
23	2'-4"	6'-8"	Interior	Closet 2a	Pocket Door	
24	2'-0"	6'-8"	Interior	Closet 3	Pocket Door	
25	2'-6"	6'-8"	Interior	M. Bath	Pocket Door	
26	2'-8"	6'-8"	Interior	Master Bedroom		
27	3'-0"	6'-8"	Interior	Mech 1		
28	2'-8"	6'-8"	Interior	Mech 2		
29	2'-4"	6'-8"	Interior	W.I.C.		



First Floor Plan
1/4" = 1'-0"



BOB HARRIS DESIGN

bobharrisdesign.com
bh@bobharrisdesign.com
352-317-6644
2351 SW 5th Avenue

CLIENT
Jonathan Douglas, 832
NW 39th Ave LLC

Douglas Residence
Lot 22 Home
Unassigned Address 10999-001-000
Gainesville, Florida 32641

Revision Date
Number Date

Date: 01/23/2024

Drawn: Bob Harris

Description:

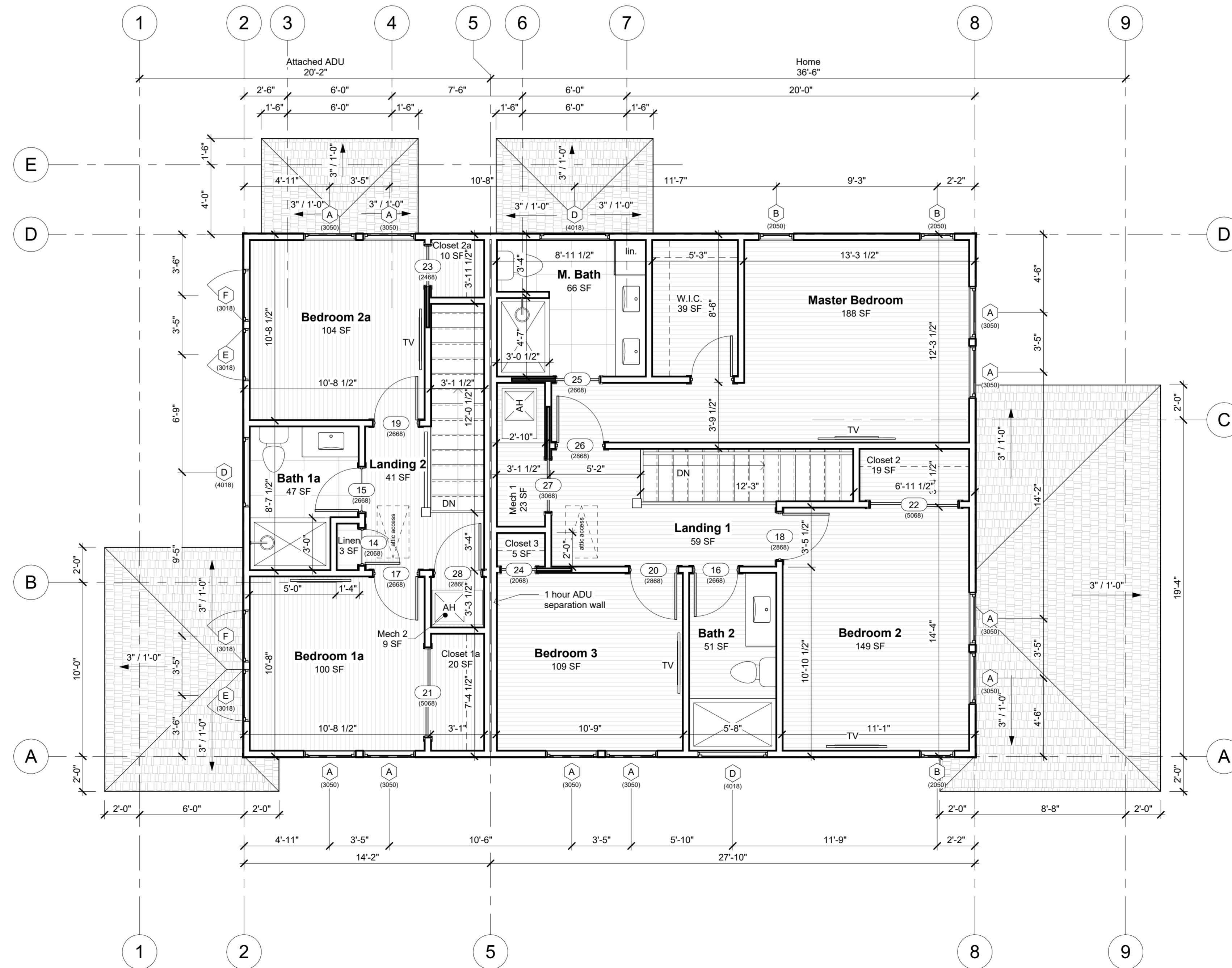
First Floor Plan

SHEET
A1
OF
5

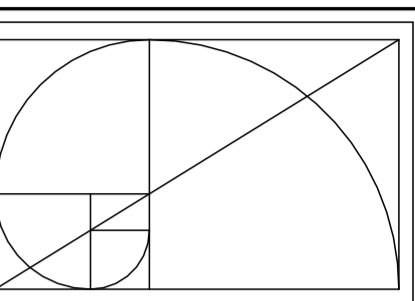
50%

50%

Window Schedule						Door Schedule							
Mark	Width	Height	Description	Comments	Head Height	Count	Mark	Width	Height	Function	Location	Description	Comments
A	3'-0"	5'-0"	Single Hung		6'-8"	18	First Floor						
B	2'-0"	5'-0"	Single Hung		6'-8"	7	D1	3'-0"	6'-8"	Exterior	Entry Porch 1	3/4 Lite Patterned Glass	
C	3'-0"	3'-0"	Single Hung		6'-8"	2	D2	3'-0"	6'-8"	Exterior	Entry Porch 2	1/2 Lite Patterned Glass	
D	4'-0"	1'-8"	Awning		6'-8"	3	D3	2'-8"	6'-8"	Exterior	Rear Entry 1	1/2 Lite Patterned Glass	
E	3'-0"	1'-8"	Casement Left		6'-8"	2	D4	2'-8"	6'-8"	Exterior	Rear Entry 2	1/2 Lite Patterned Glass	
F	3'-0"	1'-8"	Casement Right		6'-8"	2	D6	2'-8"	6'-8"	Interior	Bath 1		
G	2'-6"	1'-8"	Awning		6'-8"	1	D7	2'-8"	6'-8"	Interior	Bedroom 1		
H	2'-8"	3'-0"	Single Hung		6'-8"	2	D8	5'-0"	6'-8"	Interior	Closet 1	Pair Sliding Doors	
							D9	2'-6"	6'-8"	Interior	Laundry		
							D10	2'-8"	6'-8"	Interior	Pantry	Pocket Door Full Lite Frosted Glass	
							D11	2'-6"	6'-8"	Interior	Pair	Pocket Door	
							D12	2'-0"	6'-0"	Interior	Stair Closet	Custom Cut	
							D13	2'-8"	6'-8"	Interior	Utility	Pocket Door	
Second Floor													
							D14	2'-0"	6'-8"	Interior	Bath 1a		
							D15	2'-6"	6'-8"	Interior	Bath 2		
							D16	2'-6"	6'-8"	Interior	Bedroom 1a		
							D17	2'-6"	6'-8"	Interior	Bedroom 2		
							D18	2'-8"	6'-8"	Interior	Bedroom 2a		
							D19	2'-6"	6'-8"	Interior	Bedroom 2a		
							D20	2'-8"	6'-8"	Interior	Bedroom 3		
							D21	5'-0"	6'-8"	Interior	Closet 1a	Pair Sliding Doors	
							D22	5'-0"	6'-8"	Interior	Closet 2	Pair Sliding Doors	
							D23	2'-4"	6'-8"	Interior	Closet 2a	Pocket Door	
							D24	2'-0"	6'-8"	Interior	Closet 3	Pocket Door	
							D25	2'-6"	6'-8"	Interior	M. Bath	Pocket Door	
							D26	2'-8"	6'-8"	Interior	Master Bedroom		
							D27	3'-0"	6'-8"	Interior	Mech 1		
							D28	2'-8"	6'-8"	Interior	Mech 2		
							D29	2'-4"	6'-8"	Interior	W.I.C.		



Second Floor Plan
1/4" = 1'-0"



BOB HARRIS DESIGN

bobharrisdesign.com
bh@bobharrisdesign.com
352-317-6644
2351 SW 5th Avenue

CLIENT
Jonathan Douglas, 832
NW 39th Ave LLC

Douglas Residence
Lot 22 Home
Unassigned Address 10999-001-000
Gainesville, Florida 32641

Revision Date
Number Date

Date: 01/23/2024

Drawn: Bob Harris

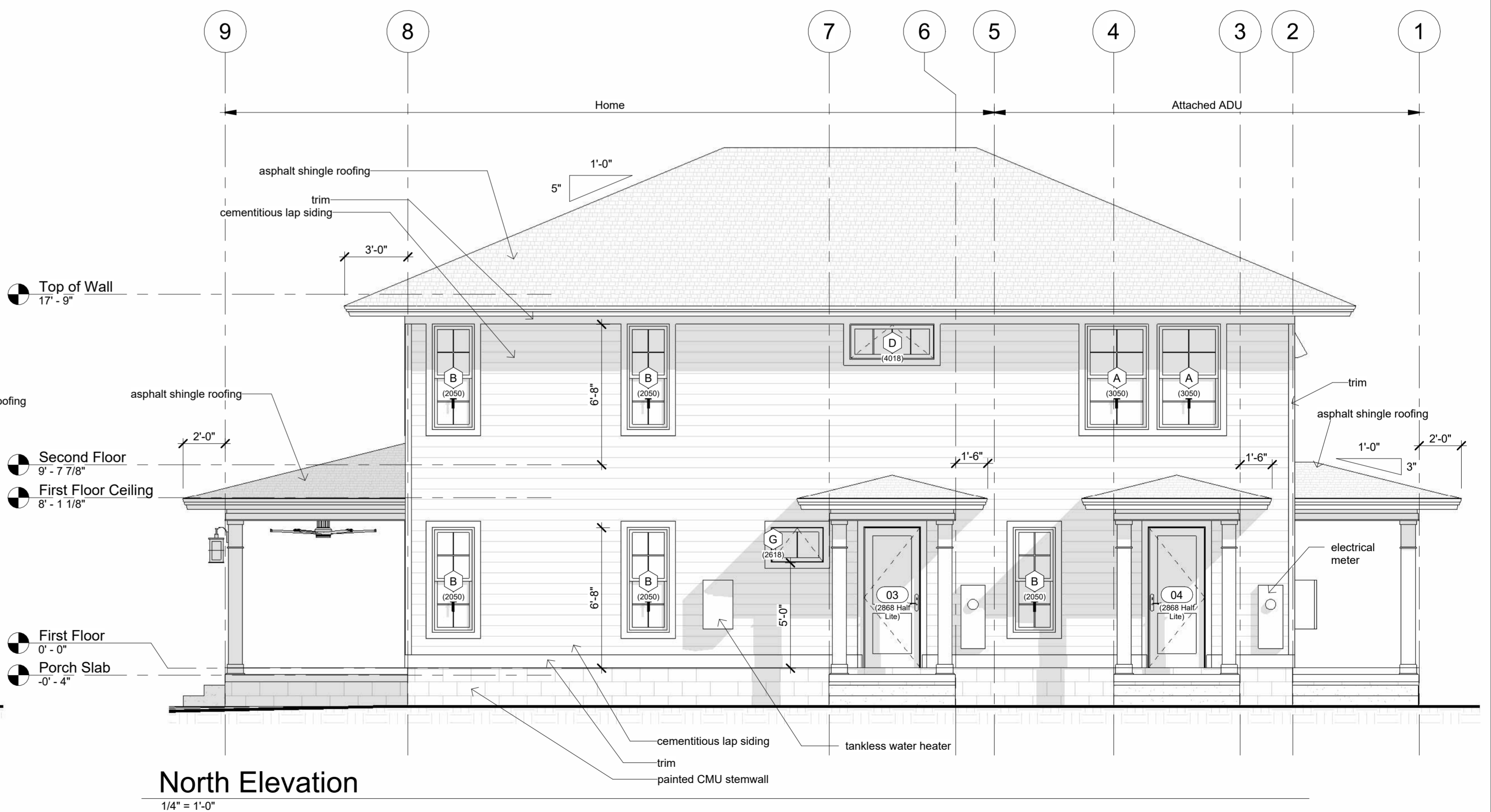
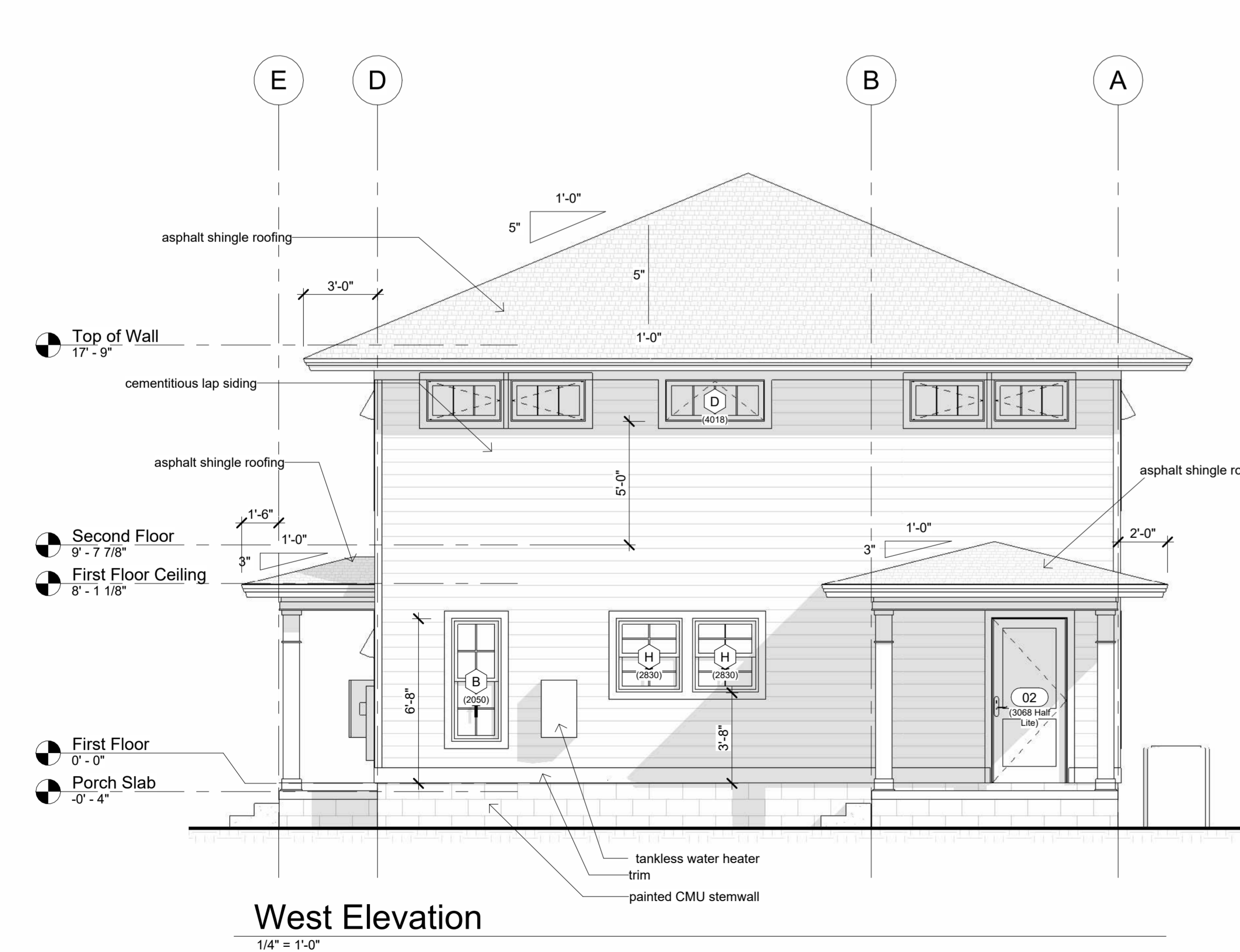
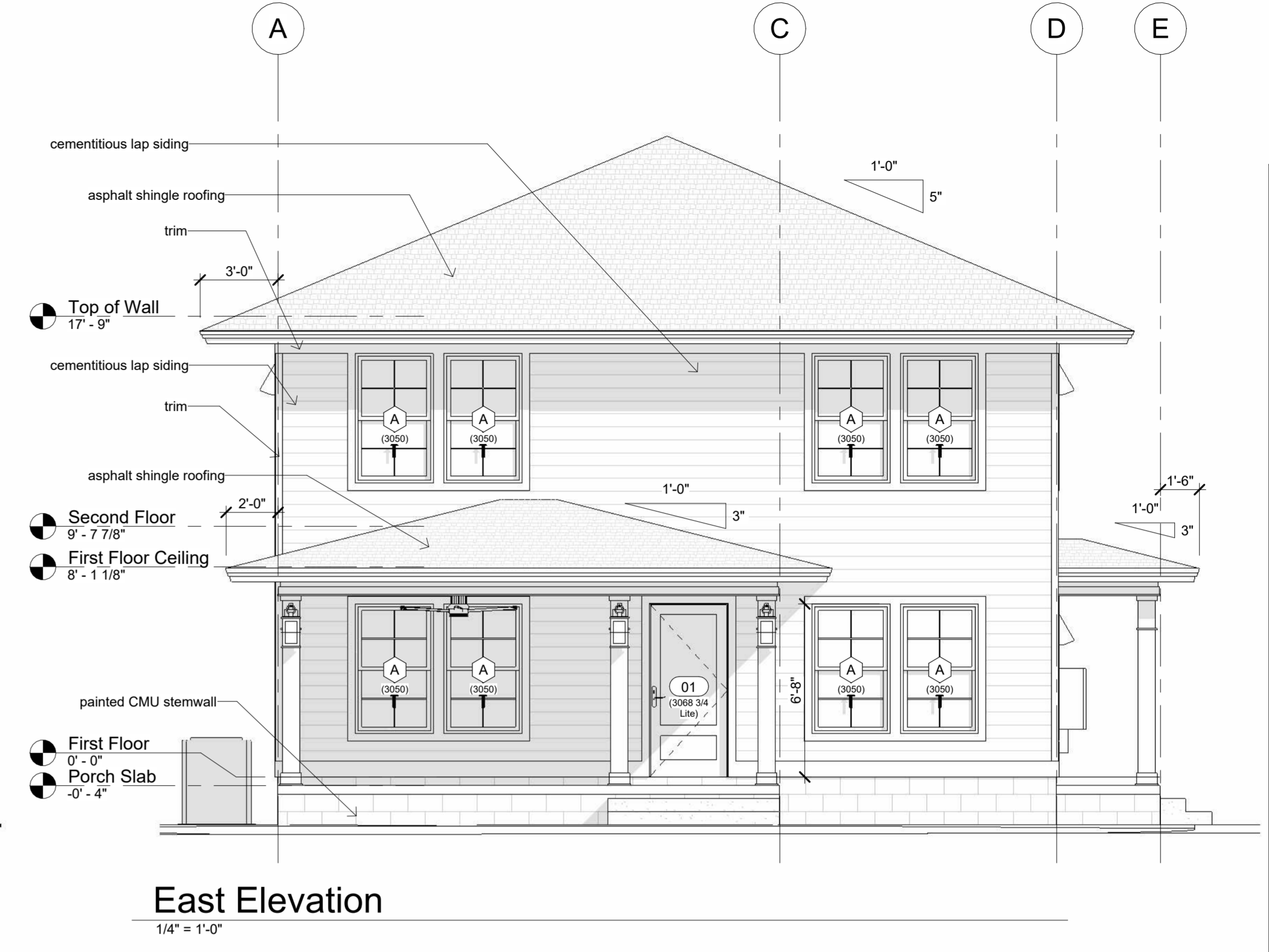
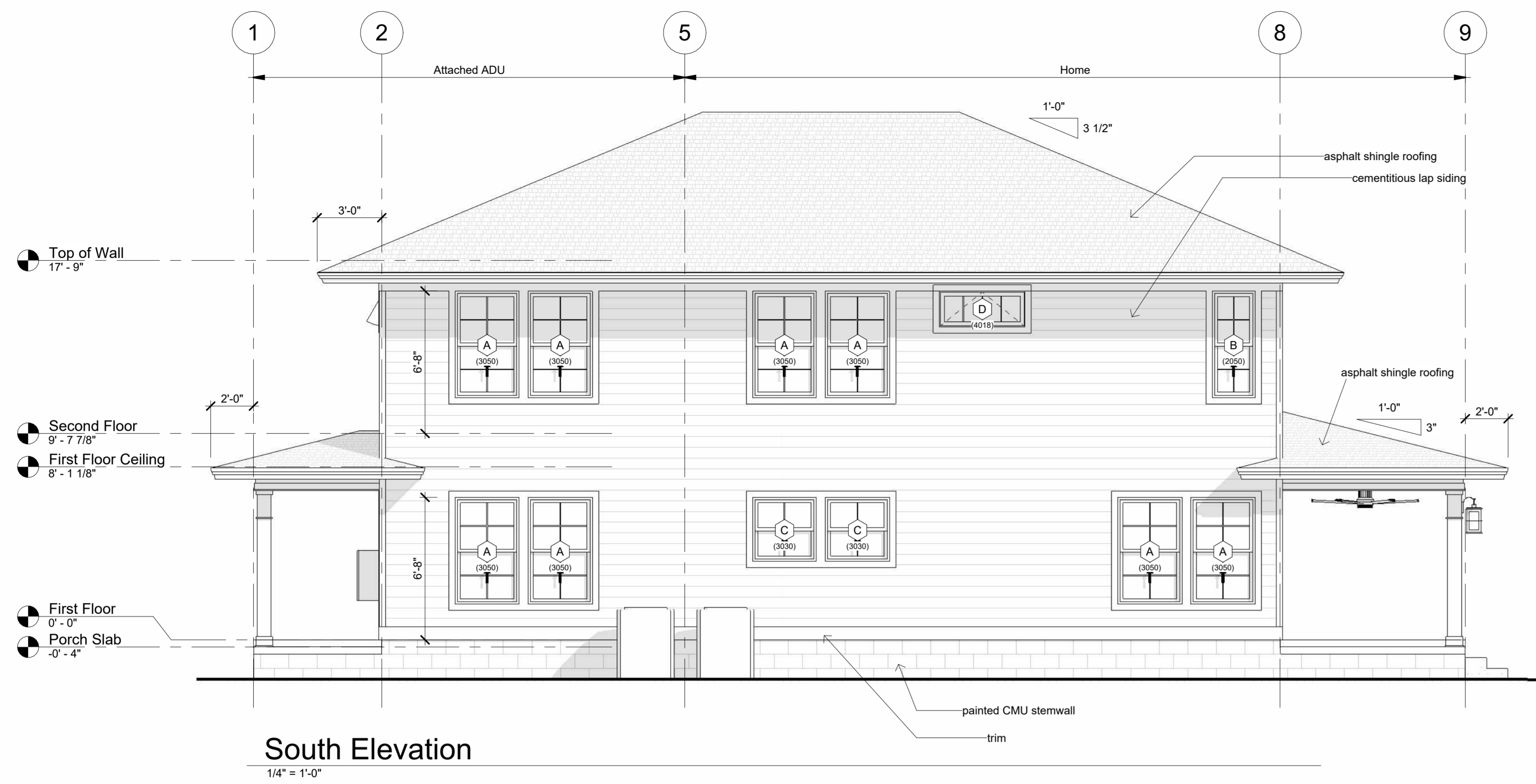
Description:

Second Floor Plan

SHEET
A2
OF
5

50%

50%





BOB HARRIS DESIGN
 bobharrisdesign.com
 bh@bobharrisdesign.com
 352-317-6644
 2351 SW 5th Avenue

CLIENT
 Jonathan Douglas, 832 NW 39th Ave LLC

Douglas Residence
Lot 22 Home
 Unassigned Address 10999-001-000
 Gainesville, Florida 32641

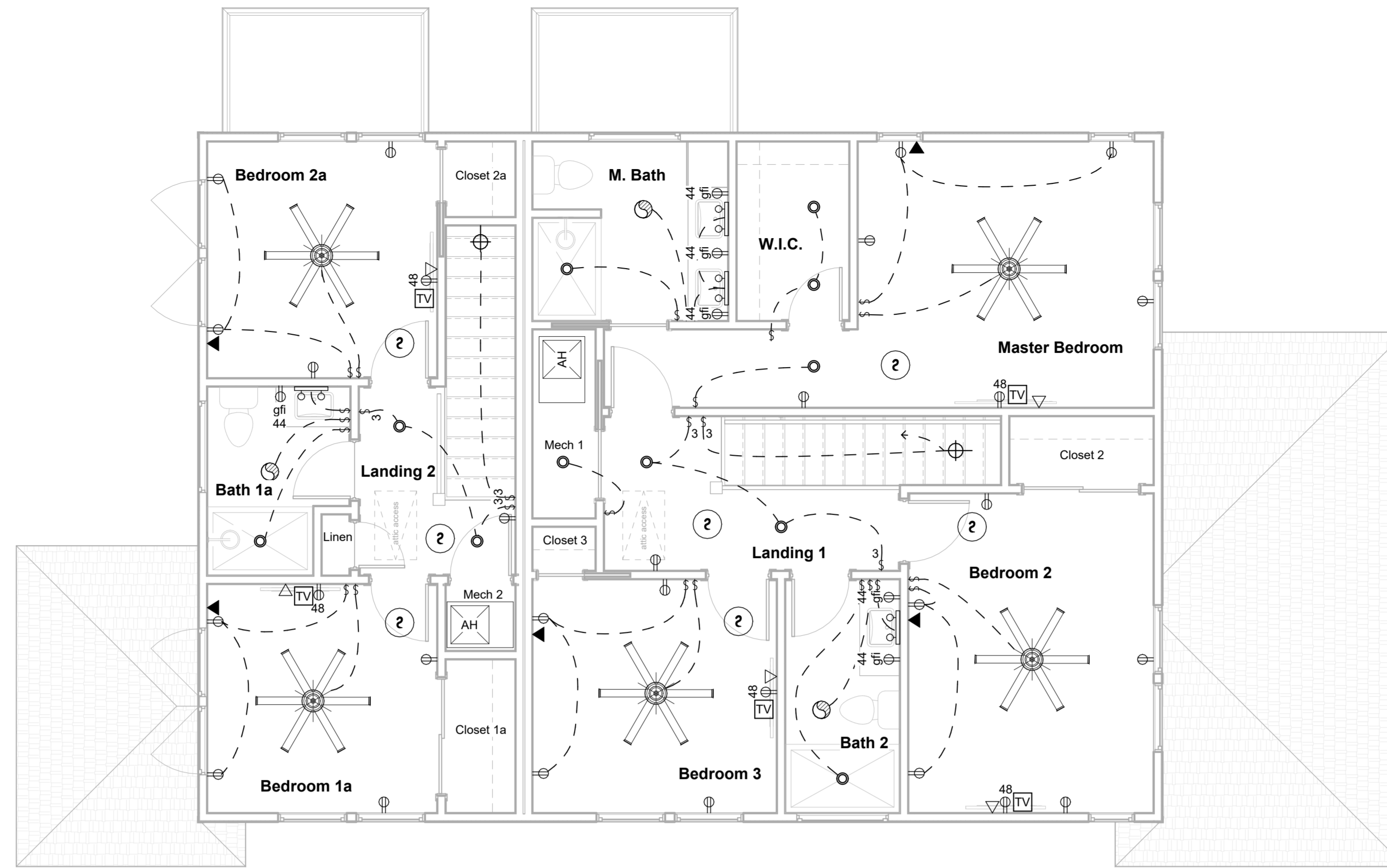
Revision Date: _____
 Number: _____ Date: _____

Date: 01/23/2024
 Drawn: Bob Harris
 Description: Elevations

SHEET
A3
 OF
 5

50%

50%



Electrical Second Floor

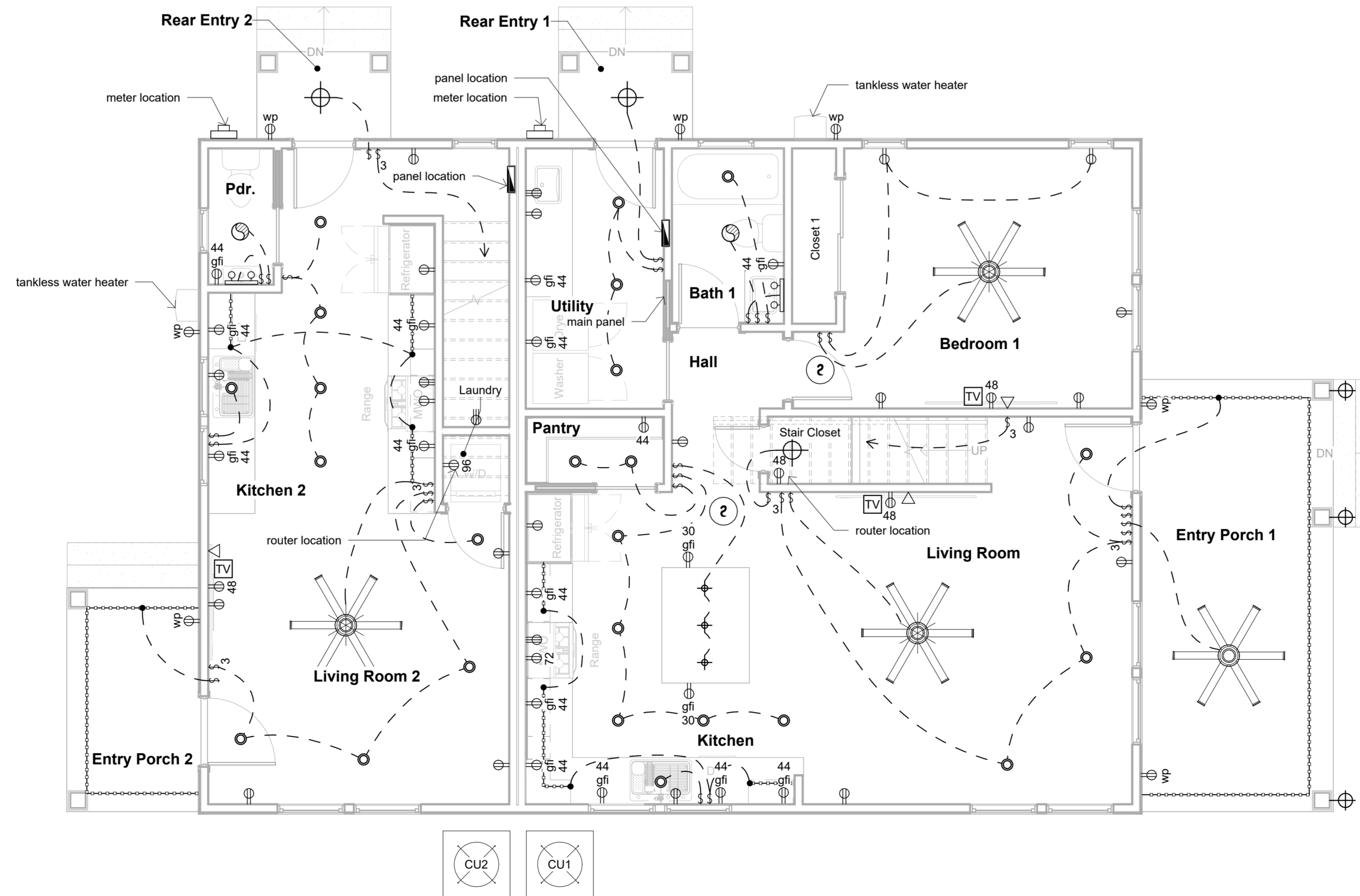
1/4" = 1'-0"

Electrical Legend

	Ceiling Fan
	Ceiling Fan with Light Kit
	Recessed Can Light
	Wall Mounted Light
	Ceiling Mounted Light
	Bathroom Vanity Light
	LED Strip Light - Provide all LED with Dimmable Drivers
	Light Switch
	3 Way Light Switch
	120V Duplex - Number indicates height above floor
	120V Duplex - Ground Fault Interrupted
	120V Duplex - Ground Fault Interrupted In Water Resistant Enclosure
	CAT6 Data Connection
	Telephone Connection
	RJ6 Television Connection
	Exhaust Fan
	Smoke Detector

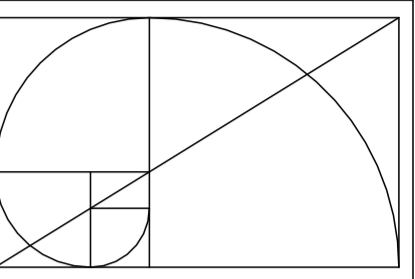
Electrical Genral Notes:

1. All receptacle outlets not indicated as gfi (ground fault interrupted) shall be afci (arc fault circuit interrupted)
2. All receptacle outlets indicated as WP are Ground Fault interrupted Verify w/ Owner light fixtures to receive dimmers
3. Home run all CAT6 data connections to router location. Provide data connection to outside for Cable, Satellite and DSL Internet.
- 4.



Electrical First Floor

1/4" = 1'-0"



BOB HARRIS DESIGN

bobharrisdesign.com
bh@bobharrisdesign.com
352-317-6644
2351 SW 5th Avenue

CLIENT

Jonathan Douglas, 832
NW 39th Ave LLC

Douglas Residence
Lot 22 Home
Unassigned Address 10999-001-000
Gainesville, Florida 32641

Revision Date
Number Date

Date:
01/23/2024

Drawn:
Bob Harris

Description:
Electrical Plan

SHEET

A4

OF
5

50%

50%